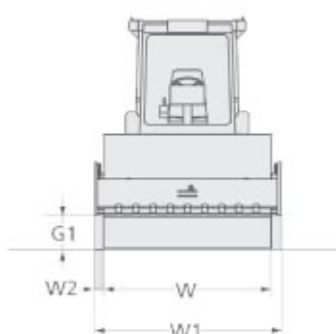
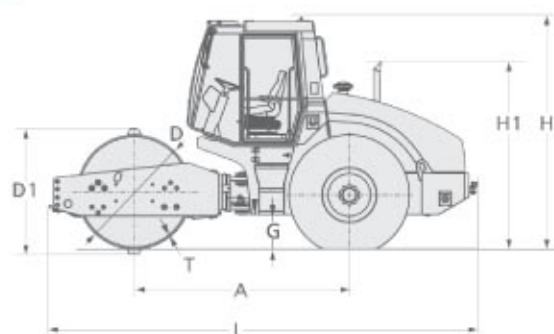


DIMENSIONS



RP12 (mm)

A	2560
D	1240
D1	1400
G	385
G1	375
H	2870

RP12 (mm)

H1	2200
L	5195
T	15
W	1680
W1	1880
W2	95

SPECIFICATIONS

MAKE Ammann ASC70PD

WEIGHTS

Operating weight CECE	7085 kg
Operating weight (maximum)	7650 kg
Static linear load	23.9 kg/cm
Front axle load	4020 kg
Rear axle load	3120 kg

DRUM AND WHEELS

Working width	1680 mm
Drum diameter	1240 mm
Shell thickness	15 mm
Compacting width (maximum)	2200 mm
	Mitas 14.9 - 24

ENGINE

Engine make	Cummins
Type	QSB 4.5 - C99 Tier III
Rated power, DIN 6221	Din 6271 24/101 kw/HP

DRIVE

No. of travel speed	4
Max. speed	12 km/hr
Gradeability with vibration	45 %

STEERING

Turning radius inside	3090 mm
Steering/oscillating angle	±36/12

VIBRATION

Amplitudes	1.7 mm
Frequencies	30 Hz
Centrifugal force	145 kN

CAPACITIES

Fuel	275 litres
------	------------

SHERRIN
Rentals

BRISBANE • DARWIN • TOOWOOMBA • SUNSHINE COAST

132 138

Email - info@sherrinrentals.com.au Web - www.sherrinrentals.com.au

7 Tonne Padded Drum Roller