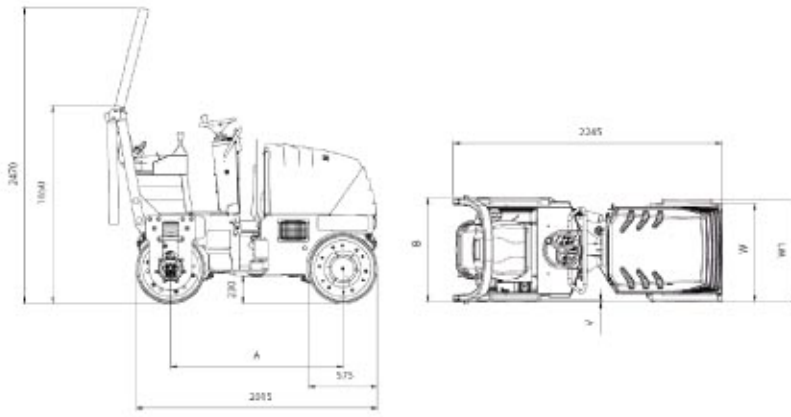


DIMENSIONS



RAO2 (mm)

| | |
|----|-----|
| B | 950 |
| W | 900 |
| W1 | 950 |
| V | 40 |

SPECIFICATIONS

| | |
|-------------------------|----------------|
| Make | Ammann AV 16-2 |
| Operating weight (CECE) | 1550 kg |

WEIGHTS

| | |
|--------------------|-----------|
| Static linear load | 9.4 kg/cm |
|--------------------|-----------|

DRUMS (WHEELS)

| | |
|--------------------|--------|
| Width | 940 mm |
| Diameter | 575 mm |
| Thickness | 13 mm |
| Offset | 50 mm |
| Rolling width max. | 950 mm |

DRIVE

| | |
|---------------------------------------|-------------------------------|
| Engine and type | Yanmar 3TVN76 Euromot2 / EPA2 |
| Working speed | 2400 at rpm |
| Gradeability with / without vibration | 30 / 40 % |
| Turning radius, outside / inside | 2660 / 1760 mm |

VIBRATION

| | |
|---------------------------------|-------------|
| Amplitude | 0.5 mm |
| Working speed | 2400 at rpm |
| Frequency (Hz) | 61/67 Hz |
| Centrifugal force per drum (kN) | 13/16 kN |

CAPACITIES

| | |
|------------------|-------------|
| Water tank | 95 litres |
| Hydraulic tank | 35 litres |
| Diesel fuel tank | 26 litres |
| Overall width | 940 mm |
| Overall height | 2470 mm |
| Travel speed | 0.8 km/hour |

SHERRIN Rentals

BRISBANE • DARWIN • TOOWOOMBA • SUNSHINE COAST

132 138

Email - info@sherrinrentals.com.au Web - www.sherrinrentals.com.au

2 Tonne Asphalt Double Smooth Drum Roller