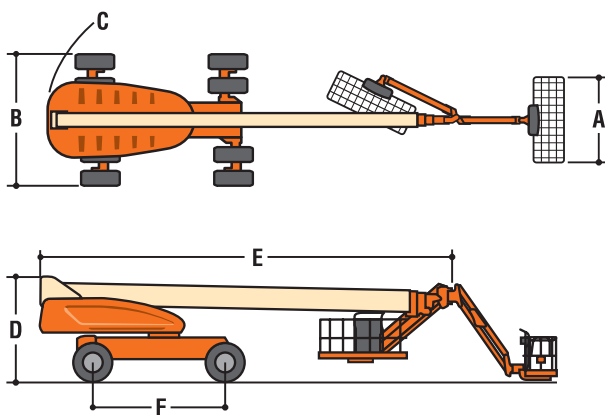


DIMENSIONAL DATA



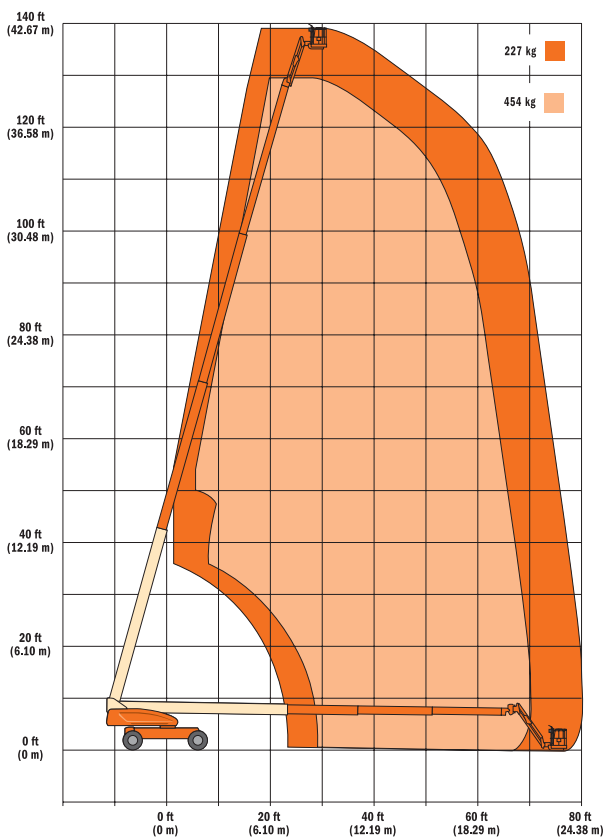
A	Platform Size	0.91 x 2.44 m
B	Overall Width	
	Axles Retracted	2.49 m
	Axles Extended	3.81 m
C	Tailswing	1.67 m
D	Stowed Height	3.05 m
E	Stowed Length	11.86 m
F	Wheelbase	3.81 m
	Ground Clearance	
	Axle	30 cm
	Chassis	65 cm
	Weight ¹	20,411 kg

* Ground bearing pressure applies to standard tires.

1. Certain options or country standards increase weight.

2. Capacity is limited to 227 kg when JibPLUS is extended horizontally.

3. Ratio of forward travel to lateral travel.



REACH SPECIFICATIONS

Platform Height	135 ft (41.15 m)
Horizontal Reach– Up and Over Height	80 ft (24.38 m)
Swing	360 Degrees Continuous
Platform Capacity– Restricted	454 kg
Platform Capacity– Unrestricted	227 kg
Platform Rotator	180 Degrees
JibPLUS®	
Length	8 ft (2.44 m)
Horizontal Motion ²	180°
Vertical Motion	130° (+75/–55)

CHASSIS

Max Ground Bearing Pressure*	107 psi (7.52 kg/cm ²)
Drive Speed	5.2 kph
Gradeability	45%
Turning Radius (Inside)	
Axles Retracted	4.39 m
Axles Extended	2.44 m
Turning Radius (Outside)	
Axles Retracted	6.86 m
Axles Extended	5.89 m
Crab Steer Ratio ³	1:1
Axle Oscillation	30 cm
Tires/Type	445/50D710 Foam Filled

POWER SOURCE

Diesel Engine, Deutz TD2011L4	75 hp (56 kW)
Fuel Tank Capacity	117 L
Hydraulic Reservoir	208 L
Auxiliary Power	12V DC
Generator Nominal/ Continuous	12,000/7,500 Watt

SHERRIN
Rentals
 AUSTRALIA WIDE
132 138

Email - info@sherrinrentals.com.au Web - www.sherrinrentals.com.au

135 Foot Boom Lift