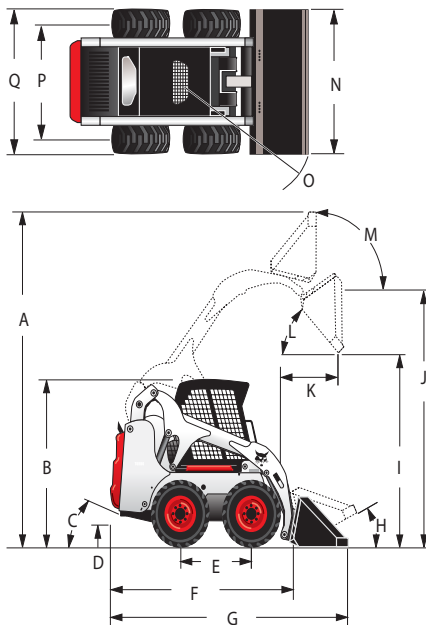


## DIMENSIONS

<b>A</b>	152.1 in. (3862 mm)
<b>B</b>	76.3 in. (1938 mm)
<b>C</b>	23 <sup>0</sup>
<b>D</b>	7.5 in. (190mm)
<b>E</b>	40.6 in. (1030 mm)
<b>F</b>	101.9 in. (2588 mm)
<b>G</b>	130.3 in. (3310 mm)
<b>H</b>	25 <sup>0</sup>
<b>I</b>	91.0 in. (2310 mm)
<b>J</b>	118.2 in. (3002 mm)
<b>K</b>	29.6 in. (753 mm)
<b>L</b>	42 <sup>0</sup>
<b>M</b>	95 <sup>0</sup>
<b>N</b>	68 in. (1727 mm)
<b>O</b>	78.8 in. (2001 mm)
<b>P</b>	54.5 in. (1382 mm)
<b>Q</b>	66 in. (1676 mm)



## LOADER

Rated Operating Capacity (ROC)	2050 lb. (930 kg)
ROC with counterweight (optional)	2150 lb. (975 kg)
Tipping Load	4451 lb. (2019 kg)
Lift Height to Bucket Pin	9 ft. 10 in. (3.0 m)
Lift Arm Path	Vertical

## SIZE AND SPEED

Operating Weight	6655 lb. (3023 kg)
Width (with bucket)	68 in. (1727 mm)
Cab Height	76.3 in (1938 mm)
Travel Speed	7.0 mph (11.3 km/hr)

## ENGINE

Horsepower	66
Type	Turbo Diesel
Fuel Tank Capacity	24 gal. (91 L)