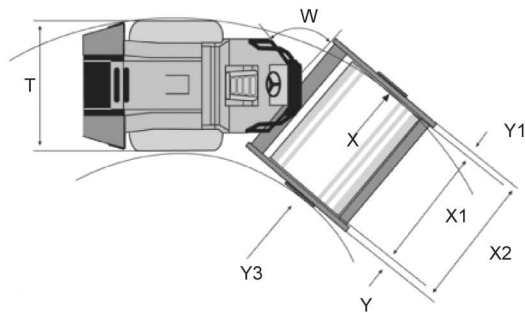
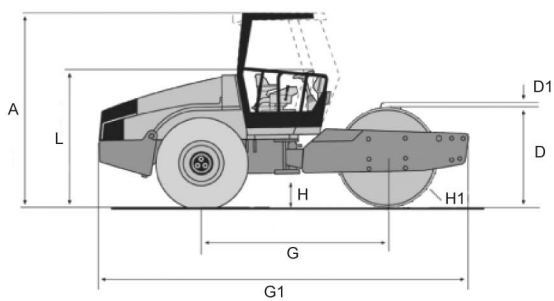


## DIMENSIONS



	(mm)
A	2972
D	1573
D1	100
G	2992
G1	6000
H	450
H1	50
L	2136

	(mm)
T	2130
W	± 38
X	5400
X1	2130
X2	2400
Y	135
Y1	115
Y3	3200

## SPECIFICATIONS

Make	Dynapac CA602D
------	----------------

WEIGHTS	
Operating weight CECE (kg)	18600 kg
Operating weight (maximum) (kg)	19000 kg
Static linear load (kg/cm)	59.6 kg/cm
Front axle load (kg)	12700 kg
Rear axle load (kg)	5900 kg

DRUM AND WHEELS	
Working width (mm)	2130
Drum diameter (mm)	2130
Shell thickness (mm)	50
Tyres	23,1 x 26

ENGINE	
Engine make	Cummins
Type	QSB 6.7 T3
Rated power, at 2200 rpm, kW (hp)	142kw/190hp

DRIVE	
No. of travel speeds	0 - 11
Max. speed (km/h)	11 km/hr
Gradeability with vibration (%)	43%

STEERING	
Turning radius inside (mm)	5400
Steering/oscillating angle (+/-)	38/9

VIBRATION	
Amplitudes (mm)	1.8/1.1
Frequencies (Hz)	29/31
Centrifugal force (kN)	317/231 kn

CAPACITIES	
Fuel (litres)	320

**SHERRIN**  
**Rentals**  
 AUSTRALIA WIDE  
**132 138**

Email - [info@sherrinrentals.com.au](mailto:info@sherrinrentals.com.au) Web - [www.sherrinrentals.com.au](http://www.sherrinrentals.com.au)

**20 Tonne Smooth Drum Roller**