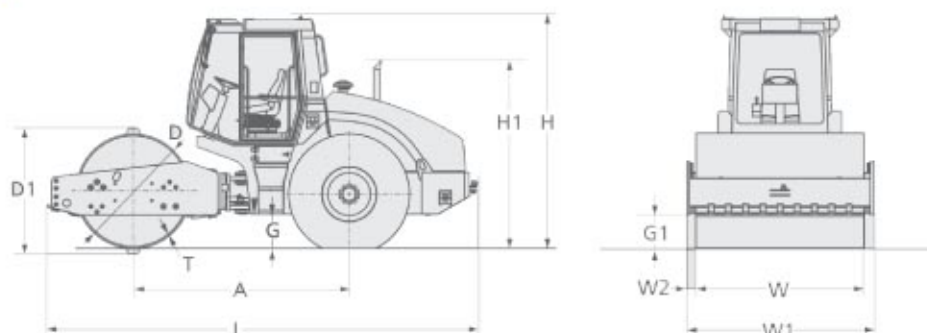


## DIMENSIONS



RP12 (mm)

RP12 (mm)

A	2820	H1	2375
D	1500	L	5686
G	420	T	28
G1	430	W	2200
H	3030	W1	2500
		W2	142

## SPECIFICATIONS

**MAKE** Ammann ASC150D

### WEIGHTS

Operating weight CECE	11495kg
Operating weight (maximum)	12865 kg
Static linear load	32.4 kg/cm
Front axle load	7130 kg
Rear axle load	4365 kg

### DRUM AND WHEELS

Working width	2200 mm
Drum diameter	1500 mm
Shell thickness	40 mm
Compacting width (maximum)	2200 mm
	Mitas 23.1 - 26

### ENGINE

Engine make	Cummins
Type	QSB 4.5 - C160 Tier III
Rated power, DIN 6221	Din 6271 119/158 kw/HP

### DRIVE

No. of travel speed	4
Max. speed	10.6 km/hr
Gradeability with vibration	45 %

### STEERING

Turning radius inside	3050 mm
Steering/oscillating angle	±36/10

### VIBRATION

Amplitudes	1.9 mm
Frequencies	30 Hz
Centrifugal force	300 kN

### CAPACITIES

Fuel	410 litres
------	------------

# SHERRIN Rentals

BRISBANE • DARWIN • TOOWOOMBA • SUNSHINE COAST

## 132 138

Email - [info@sherrinrentals.com.au](mailto:info@sherrinrentals.com.au) Web - [www.sherrinrentals.com.au](http://www.sherrinrentals.com.au)

# 15 Tonne Smooth Drum Roller