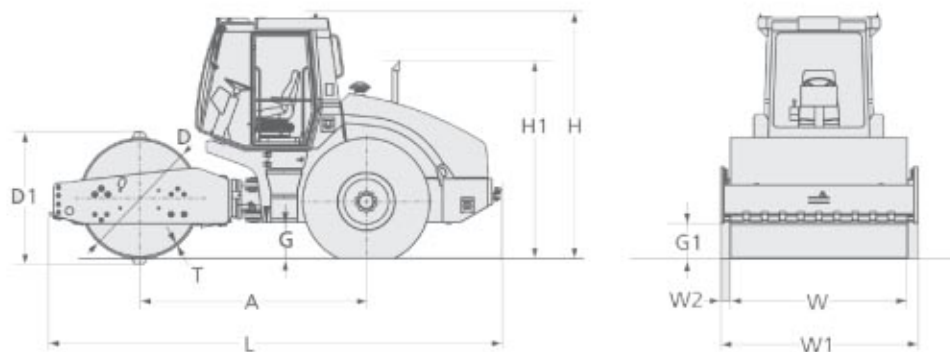


## DIMENSIONS



	RS12 (mm)		RS12 (mm)
A	2820	H1	2375
D	1500	L	5686
G	420	T	25
G1	430	W	2200
H	3030	W1	2436
		W2	118

## SPECIFICATIONS

Make	Ammann ASC110D
------	----------------

### WEIGHTS

Operating weight CECE (kg)	11495 kg
Operating weight (maximum) (kg)	12865 kg
Static linear load (kg/cm)	32.4 kg/cm
Front axle load (kg)	7130 kg
Rear axle load (kg)	4365 kg

### DRUM AND WHEELS

Working width (mm)	2200 mm
Drum diameter (mm)	1500 mm
Shell thickness (mm)	25 mm
Tyres	Mitas 23.1 - 26

### ENGINE

Engine make	Cummins
Type	QSB 5.9-C155
Rated power, DIN 6221	116 / 158 kW/PS

### DRIVE

No. of travel speeds	4
Max. speed (km/h)	10.6 km/hr
Gradeability with vibration (%)	45 %

### STEERING

Turning radius inside (mm)	3050 mm
Steering/oscillating angle (+/-)	36/10

### VIBRATION

Amplitudes (mm)	1.85 mm
Frequencies (Hz)	32 Hz
Centrifugal force (kN)	277 kN

### CAPACITIES

Fuel (litres)	410 litres
---------------	------------

# SHERRIN Rentals

BRISBANE • DARWIN • TOOWOOMBA • SUNSHINE COAST

## 132 138

Email - [info@sherrinrentals.com.au](mailto:info@sherrinrentals.com.au) Web - [www.sherrinrentals.com.au](http://www.sherrinrentals.com.au)

# 12 Tonne Smooth Drum Roller