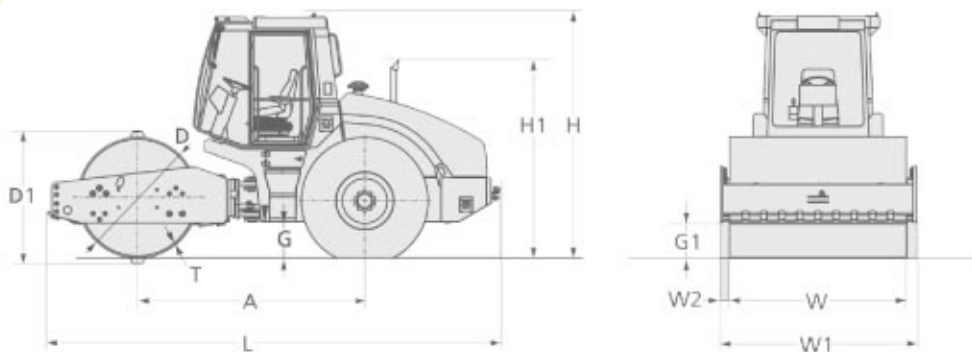


## DIMENSIONS



RS07 (mm)

|    |      |
|----|------|
| A  | 2560 |
| D  | 1300 |
| D1 |      |
| G  | 385  |
| G1 | 375  |
| H  | 2870 |

RS07 (mm)

|    |      |
|----|------|
| H1 | 2200 |
| L  | 5195 |
| T  | 25   |
| W  | 1680 |
| W1 | 1880 |
| W2 | 95   |

## SPECIFICATIONS

### WEIGHTS

|                            |         |
|----------------------------|---------|
| Operating weight CECE      | 7140 kg |
| Operating weight (maximum) | 7675 kg |
| Front axle load            | 4020 kg |
| Rear axle load             | 3120 kg |

### DRUM AND WHEELS

|                 |                 |
|-----------------|-----------------|
| Working width   | 1680 mm         |
| Drum diameter   | 1300 mm         |
| Shell thickness | 25 mm           |
| Tyres           | Mitas 14.9 - 24 |

### ENGINE

|                       |                     |
|-----------------------|---------------------|
| Engine make and model | Cummins 4BT 3.9-C99 |
| Rated power, DIN 6271 | 74 kW / 101 HP      |

### DRIVE

|                             |          |
|-----------------------------|----------|
| No. of travel speeds        | 4        |
| Max. speed                  | 12 km/hr |
| Gradeability with vibration | 45%      |

### STEERING

|                            |          |
|----------------------------|----------|
| Turning radius inside      | 3090 mm  |
| Steering/oscillating angle | +/-36/12 |

### VIBRATION

|                   |              |
|-------------------|--------------|
| Amplitudes        | 1.7/0.8 6 mm |
| Frequencies       | 30/40 Hz     |
| Centrifugal force | 145/130 kN   |

### CAPACITIES

|      |            |
|------|------------|
| Fuel | 275 litres |
|------|------------|

# SHERRIN Rentals

BRISBANE • DARWIN • TOOWOOMBA • SUNSHINE COAST

## 132 138

Email - [info@sherrinrentals.com.au](mailto:info@sherrinrentals.com.au) Web - [www.sherrinrentals.com.au](http://www.sherrinrentals.com.au)

# 7 Tonne Smooth Drum Roller