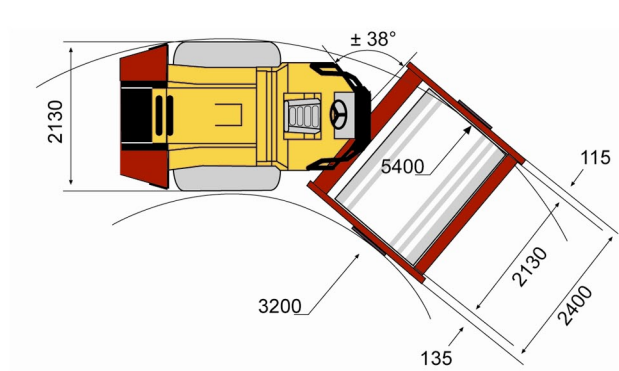
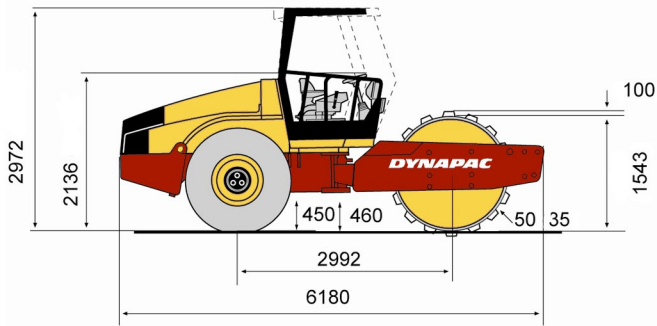


## DIMENSIONS



## SPECIFICATIONS

Make	Dynapac CA612PD
------	-----------------

## WEIGHTS

Operating Mass (incl. Cab)	20,750kg
Front Module Mass	14,100kg
Rear Module Mass	6,650kg

## DRUM AND WHEELS

Working Width (mm)	2130
Drum Diameter (mm)	2130
Shell Thickness	50
Tyres	23, 1 x 26

## ENGINE

Engine Make	Cummings
Type	QSB6.7 T3
Rated Power @ 2200 rpm	142kw/190hp

## DRIVE

No. of Travel Speeds	0 - 11
Max Speed	11km/hr
Gradeability with Vibration	43%

## STEERING

Turning Radius Inside (mm)	5400
Steering/Oscillating angle (+/-)	+ 38 °

## VIBRATION

Amplitudes (mm)	1.8/1.2
Frequencies (Hz)	31/29
Centrifugal force (kN)	317/231

## CAPACITIES

Fuel (litres)	320
---------------	-----

**SHERRIN**  
**Rentals**

24/7 AUSTRALIA WIDE

**132 138**

Email: [info@sherrinrentals.com.au](mailto:info@sherrinrentals.com.au) Web: [www.sherrinrentals.com.au](http://www.sherrinrentals.com.au)

**22 Tonne Padded Drum Roller**