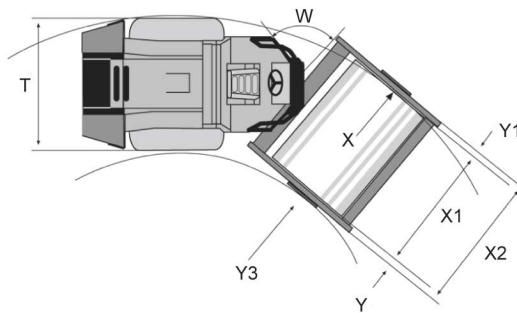
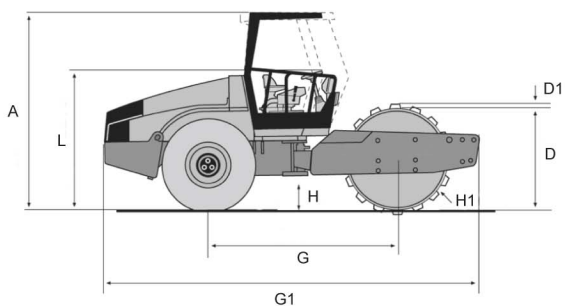


DIMENSIONS



	(mm)
A	3000
D	1543
D1	100
G	2992
G1	6180
H	460
H1	35
L	2210

	(mm)
T	2130
W	± 38
X	5400
X1	2130
X2	2400
Y	135
Y1	115
Y3	3200

SPECIFICATIONS

MAKE	Dynapac CA612PD
-------------	-----------------

WEIGHTS	
Operating weight CECE	21000 kg
Operating weight (maximum)	20700 kg
Front axle load	14050 kg
Rear axle load	6650 kg

DRUM AND WHEELS	
Working width	2130 mm
Drum height	1543 mm
Shell thickness	35 mm
Compacting width (maximum)	2200 mm
	2130mm

ENGINE	
Engine make	Cummins QSB 6.7 T3
Type	Water cooled with After Cooler
Rated power, DIN 6221	142kw/190hp

DRIVE	
No. of travel speed	0-11 km/hr
Max. speed	11km/hr
Gradeability with vibration	43%

STEERING	
Turning radius inside	3200 mm
Steering/oscillating angle	± 9°

VIBRATION	
Amplitudes	1.8 mm
Frequencies	29 Hz
Centrifugal force	317/231 kN

CAPACITIES	
Fuel	320 litres

SHERRIN
Rentals
 AUSTRALIA WIDE
132 138

Email - info@sherrinrentals.com.au Web - www.sherrinrentals.com.au

20 Tonne Padded Drum Roller