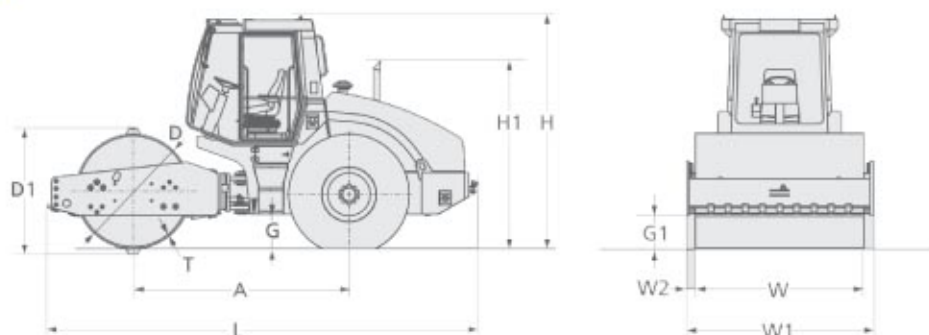


DIMENSIONS



	RP12 (mm)		RP12 (mm)
A	2820	H1	2375
D	1440	L	5686
D1	1640	T	28
G	420	W	2200
G1	430	W1	2500
H	3030	W2	142

SPECIFICATIONS

MAKE	Ammann ASC150PD
-------------	-----------------

WEIGHTS	
Operating weight CECE	14380 kg
Operating weight (maximum)	15750 kg
Static linear load	46.4 kg/cm
Front axle load	10110 kg
Rear axle load	4180 kg

DRUM AND WHEELS	
Working width	2200 mm
Drum diameter	1500 mm
Shell thickness	40 mm
Compacting width (maximum)	2200 mm
	Mitas 23.1 - 26

ENGINE	
Engine make	Cummins
Type	QSB 4.5 - C160 Tier III
Rated power, DIN 6221	Din 6271.199/158 kw/HP

DRIVE	
No. of travel speed	4
Max. speed	10.6 km/hr
Gradeability with vibration	45 %

STEERING	
Turning radius inside	3050 mm
Steering/oscillating angle	±36/10

VIBRATION	
Amplitudes	1.9 mm
Frequencies	30 Hz
Centrifugal force	300 kN

CAPACITIES	
Fuel	410 litres

SHERRIN Rentals

BRISBANE • DARWIN • TOOWOOMBA • SUNSHINE COAST

132 138

Email - info@sherrinrentals.com.au Web - www.sherrinrentals.com.au

15 Tonne Padded Drum Roller