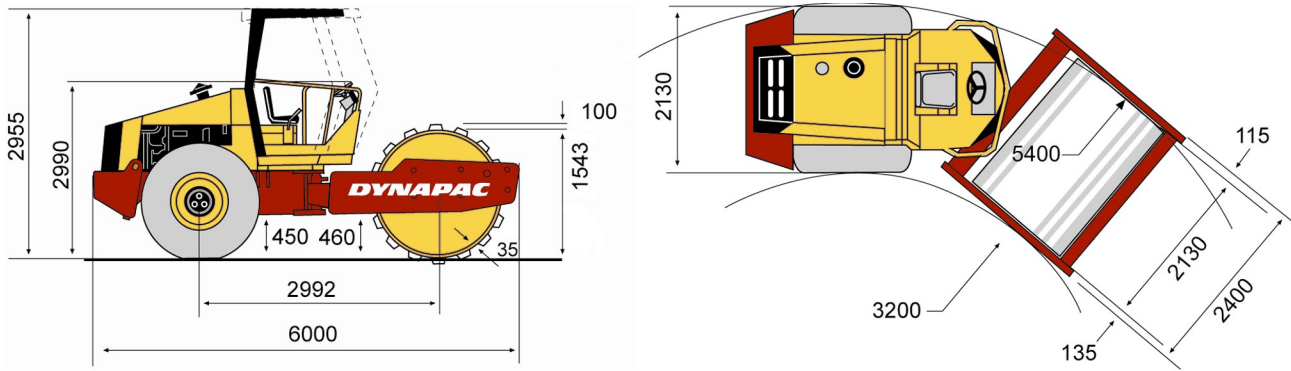


DIMENSIONS



SPECIFICATIONS

Make	Dynapac CA512PD
------	-----------------

WEIGHTS

Operating Mass (incl. Cab)	15,900kg
Front Module Mass	10,700kg
Rear Module Mass	5,200kg

DRUM AND WHEELS

Working Width (mm)	2130
Drum Diameter (mm)	2130
Shell Thickness	35
Tyres	23, 1 x 26

ENGINE

Engine Make	Cummings
Type	QSB6.7 T3
Rated Power @ 2200 rpm	129kw/173hp

DRIVE

No. of Travel Speeds	0 - 10
Max Speed	10km/hr
Gradeability with Vibration	56%

STEERING

Turning Radius Inside (mm)	5400
Steering/Oscillating angle (+/-)	38/9

VIBRATION

Amplitudes (mm)	1.7/1.0
Frequencies (Hz)	33/29
Centrifugal force (kN)	300/238

CAPACITIES

Fuel (litres)	320
---------------	-----

SHERRIN
Rentals

24/7 AUSTRALIA WIDE

132 138

Email: info@sherrinrentals.com.au Web: www.sherrinrentals.com.au

18 Tonne Padded Drum Roller