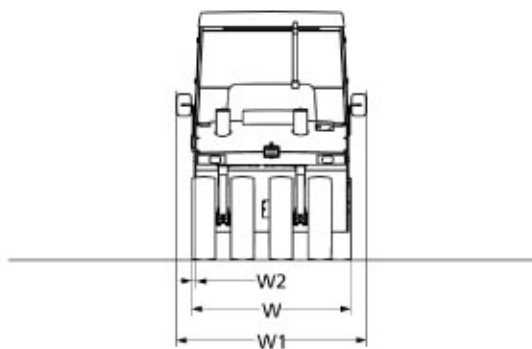
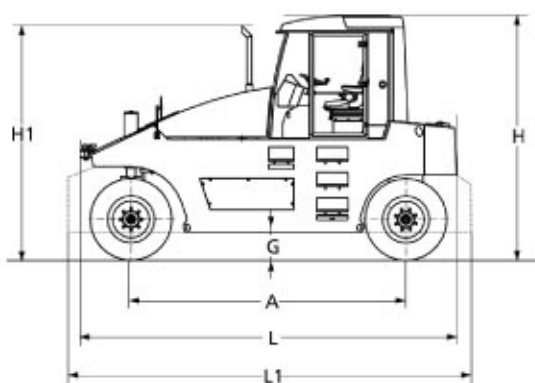


DIMENSIONS



	RM24 (mm)
A	3500
G	300
H	3040
H1	3010
L	4775

	RM24 (mm)
L1	5440
W	1986
W1	2265
W2	33

SPECIFICATIONS

Operating weight (CECE) (minimum)	9910 kg
Compacting width (maximum)	1993 mm
Operating weight (maximum)	2400 kg

WEIGHTS

Ballast	14090 mm
Operating weight	24000 kg
One wheel load minimum	1239 kg
One wheel load maximum	3000 kg

STEERING

Steering angle	32 deg
Oscillation angle	5 deg
Turning radius inner (edge)	5400 mm
Turning radius outer (contour)	8600 mm
Transversal stability - straight	36 deg

ENGINE & TRANSMISSION

Engine make and model	Cummins 484.5-C99
Rated power (kW)	74 kW
Standard	ISO 3046/1 (DIN 6271)

TRAVEL CHARACTERISTICS

No. of travel speeds	3
Maximum speed	19 km/hr
Gradeability	25 %

WATERING

Watering	Pressure
No. of pumps	1

CAPACITIES

Fuel	250 litres
------	------------

SHERRIN Rentals

BRISBANE • DARWIN • TOOWOOMBA • SUNSHINE COAST

132 138

Email - info@sherrinrentals.com.au Web - www.sherrinrentals.com.au

24 Tonne Multi Tyre Roller