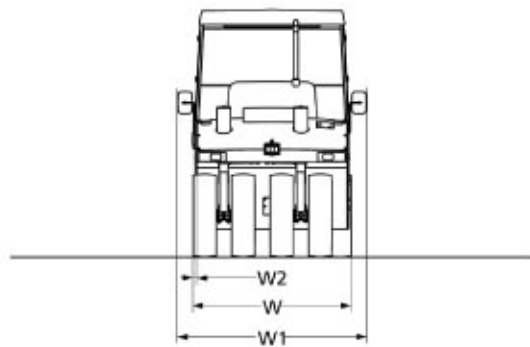
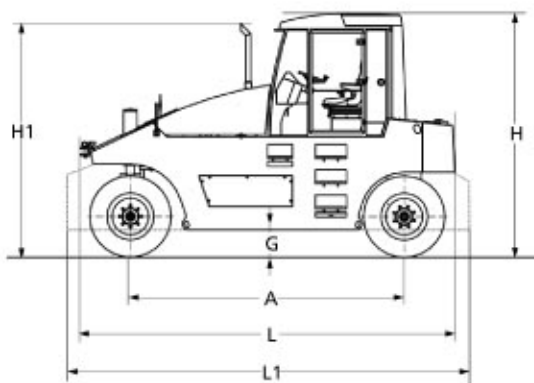


9 Tonne Multi Tyre Roller

DIMENSIONS



| | RM09 (mm) |
|----|-----------|
| A | 2760 |
| G | 234 |
| H | 2990 |
| H1 | 2275 |
| L | 3580 |

| | RM09 (mm) |
|----|-----------|
| L1 | 5440 |
| W | 1752 |
| W1 | 1760 |
| W2 | 216 |

SPECIFICATIONS

| | |
|-----------------------------------|---------|
| Operating weight (CECE) (minimum) | 6000 kg |
| Compacting width (maximum) | 1760 mm |
| Operating weight (maximum) | 1400 kg |

WEIGHTS

| | |
|------------------------|-----------|
| Ballast | 1330 mm |
| Operating weight | 10,000 kg |
| One wheel load minimum | 670 kg |
| One wheel load maximum | 1560 kg |

STEERING

| | |
|--------------------------------|---------|
| Tyre Overlap | 12 mm |
| Oscillation angle | +3 |
| Turning radius inner (edge) | 2800 mm |
| Turning radius outer (contour) | 5600 mm |

ENGINE & TRANSMISSION

| | |
|-----------------------|---------------------|
| Engine make and model | Cummins B4.5T |
| Rated power (kW) | 74 kW |
| Standard | SAE 1995 @ 2200 rpm |

TRAVEL CHARACTERISTICS

| | |
|----------------------|----------|
| No. of travel speeds | 2 |
| Maximum speed | 19 km/hr |
| Gradeability | 31% |

WATERING

| | |
|--------------|----------|
| Watering | Pressure |
| No. of pumps | 1 |

CAPACITIES

| | |
|------|------------|
| Fuel | 140 litres |
|------|------------|

SHERRIN
Rentals

BRISBANE • DARWIN • TOOWOOMBA • SUNSHINE COAST

132 138

Email - info@sherrinrentals.com.au Web - www.sherrinrentals.com.au