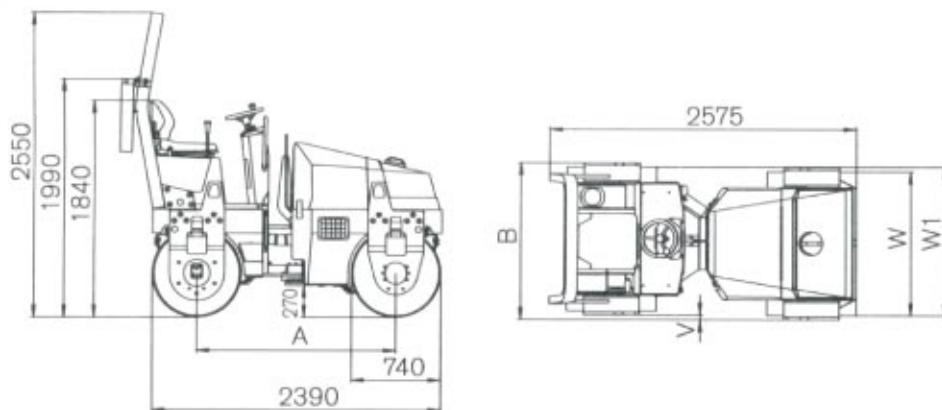


3 Tonne Asphalt Double Smooth Drum Roller

DIMENSIONS



SPECIFICATIONS

Make	Ammann AV 26
Operating weight CECE (full-flush)	2800 kg

WEIGHTS

Static linear load	11.7 kg/cm
--------------------	------------

DRUMS (WHEELS)

Width (full-flush)	1200 mm
Diameter	740 mm
Thickness	13 mm
Offset (full-flush)	40 mm
Rolling width max. (full-flush)	1240 mm

DRIVE

Engine and type	Yanmar 3TNV88
Working speed	2200 at rpm
Power output DIN 6270 B	19.8 / 27.0 kW/Hp
Gradeability with / without vibration	30 / 40 %
Travel speed	0 - 10 km/hour
Turning radius, outside / inside	3450 / 2250 mm

VIBRATION

Amplitude	0.4 mm
Working speed	2400 at rpm
Frequency	59 Hz
Centrifugal force per drum	34 kN

CAPACITIES

Water tank	80 + 120 litres
Hydraulic tank	25 litres
Diesel fuel tank	43 litres

SHERRIN Rentals

BRISBANE • DARWIN • TOOWOOMBA • SUNSHINE COAST

132 138

Email - info@sherrinrentals.com.au Web - www.sherrinrentals.com.au