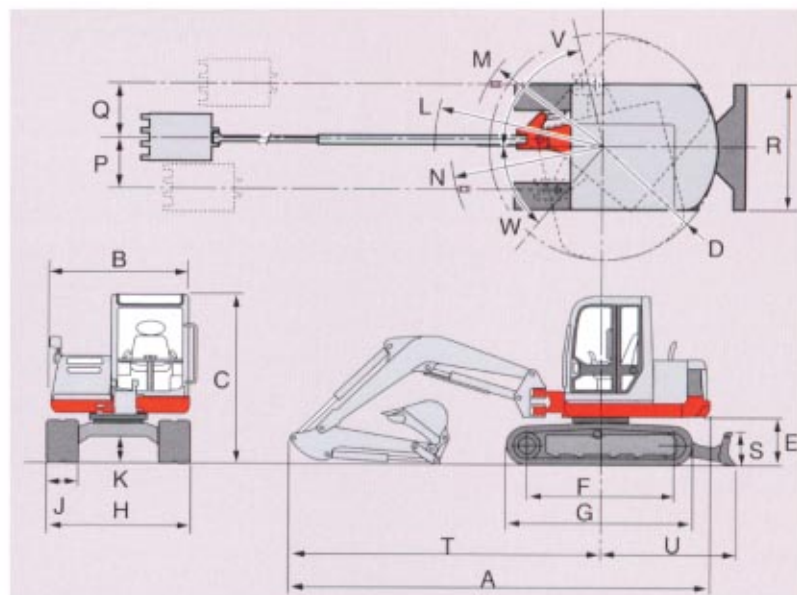


DIMENSIONS



	mm
A	6555
B	2245
C	2570
D	1720
E	785
F	2210
G	2855
H	2150
J	450
K	385
L	2180
M	1635
N	2060
P	695
Q	730
R	2150
S	500
T	4845
U	2000
V	80
W	50°

SPECIFICATIONS (Cab, Rubber Tracked, Breaker Pippings Standard, Fops Cabin)

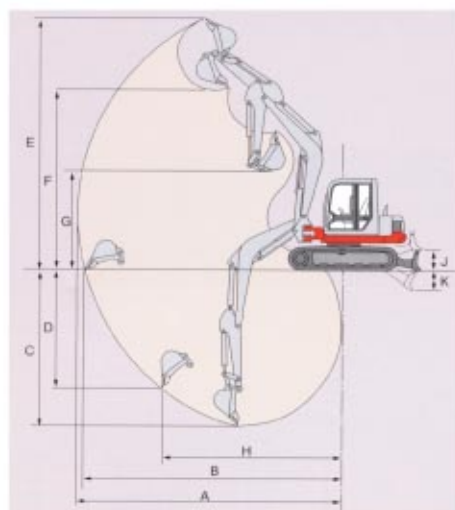
Machine weight	7280kg
DIESEL ENGINE (water-cooled)	
Model	4TNV98
Fuel tank capacity	120 litres
Hydraulic tank capacity	68 litres
OVERALL DIMENSION (mm)	
Length (in transport)	6555 mm
Width	2150 mm
Height	2570 mm
Rear slew radius	1720 mm
Min. ground clearance	385 mm
BUCKET CAPACITIES	
Quick hitch	Yes
Hitch pick up	166 mm
Mud	1510 mm
Trench	280 and 450 mm
General purpose	600 mm
Rock hammer	Yes

PERFORMANCE	
Traction speed	2.9 / 5.5 km/hr
Gradeability	30° deg
Max. dig power bucket	52.7 kN
Max. dig power arm	36.7 kN
DOZER BLADE (mm)	
Width x Height	2150 x 500 mm
Operating range up/down	525 / 410 mm
OFF-SET DIG FUNCTION	
Type	Boom Swing
Swing angle RH / LH	50° / 80°
TRACTION SYSTEM (mm)	
Crawler (Track)	Rubber / Steel
Track Width	450 (450) RT (ST)
BUCKET ATTACHMENTS	
Bucket capacity	0.185 (Struck) / 0.245 (Heaped) m ³
Bucket width	750 mm

OPERATING RANGES

	mm
A Max. digging radius	7055
B Max. floor digging radius	6905
C Max. digging depth	4240
D Max. vertical digging depth	3475
E Max digging height	7025
F Max. dumping height	4995
G Min. dumping height	1935
H Max. vertical digging radius	4630

	mm
J Max. raising height	525
K Max. lowering depth	410
Min. slew radius	1635
Max. bucket offset RH/LH	735 / 695



SHERRIN Rentals

BRISBANE • DARWIN • TOOWOOMBA • SUNSHINE COAST

132 138

Email - info@sherrinrentals.com.au Web - www.sherrinrentals.com.au

7 Tonne Excavator