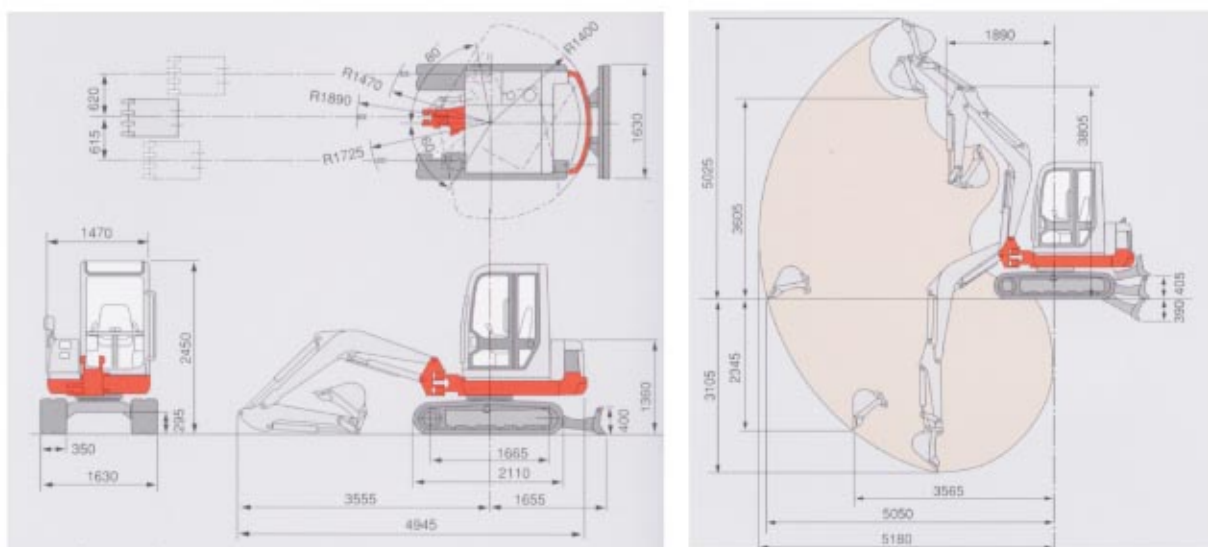


## DIMENSIONS



## WORKING RANGES

	mm		mm
Max. digging depth	3105	Max. dig. radius	5180
Max. vertical digging depth	2345	Max. floor dig. radius	5035
Max. dump height	3605	Min. slew radius	1470
Max. dig. height	5025	Max. Bucket Offset RH / LH	620 / 615

**SPECIFICATIONS** (Cab, Rubber Tracked, Breaker Pippings Standard) (Steel Tracked: Option) (Tops/Fops Cabin/Canopy for Export)

Machine weight	3430 kg	<b>PERFORMANCE</b>	
<b>BUCKET</b>		Traction speed	2.5/4.6 km/hr
Bucket capacity	0.078 m <sup>3</sup> (Struck) / 0.105 m <sup>3</sup> (Heaped)	Gradeability	30°/58%
Bucket width	540 mm	Max. dig power bucket	26.5 kN
<b>DIESEL ENGINE (water-cooled)</b>		Max. dig power arm	18 kN
Model	3TNV88	<b>DOZER BLADE (mm)</b>	
Fuel tank capacity	52 litres	Width x Height	1630 x 400 mm
Hydraulic tank capacity	49 litres	Operating range up/down	405 x 390 mm
<b>OVERALL DIMENSION (mm)</b>		<b>OFF-SET DIG FUNCTION</b>	
Length (in transport)	4930 mm	Type	Boom Swing
Width	1630 mm	Swing angle RH / LH	60° / 80°
Height	2450 mm	<b>TRACTION SYSTEM (mm)</b>	
Rear slew radius	1400 mm	Crawler (Track)	Rubber/Steel
Min. ground clearance	295 mm	Track Width	RT (ST) 350 (350)
<b>BUCKET ATTACHMENTS</b>			
Hitch pick up	125 mm		
Mud	1200 mm		
Trench	300 mm and 450mm		
General purpose	600 mm		
Rock hammer	Yes		

# SHERRIN Rentals

BRISBANE • DARWIN • TOOWOOMBA • SUNSHINE COAST

## 132 138

Email - info@sherrinrentals.com.au Web - www.sherrinrentals.com.au

# 3 Tonne Excavator