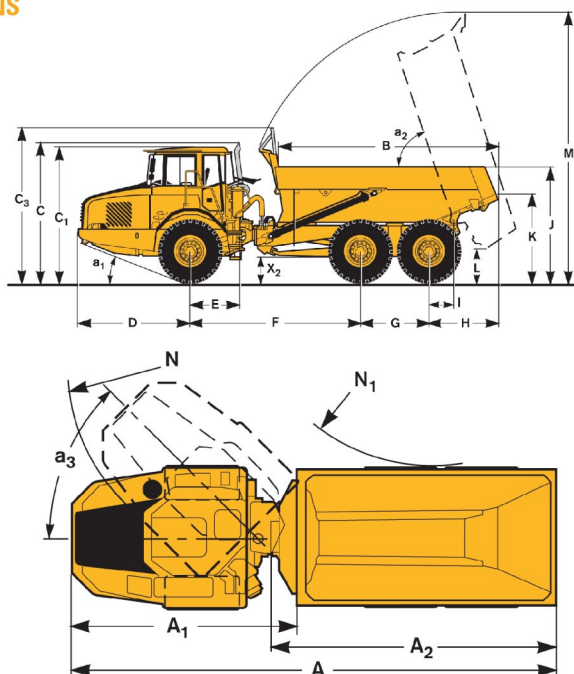


## DIMENSIONS



	mm
A	11 287
A <sub>2</sub>	6428
B	5730
C	3746
C <sub>1</sub>	3626
C <sub>2</sub>	1768
C <sub>3</sub>	4093
D	3103
E	1275
F	4448
G	1940
H	1796
I	638
J	3075
K	2492
L	906
M	7384
N	8863
N <sub>1</sub>	4238
O	3268
P	3078
R	654
R <sub>1</sub>	751
U	3590
V	2636
V*	
W	3432
W*)**	3570
X	617
X <sub>1</sub>	639
X <sub>2</sub>	765
Y	2636
Y*	
Z	3432
Z*)**	3570
a <sub>1</sub>	25°
a <sub>2</sub>	70°
a <sub>3</sub>	45°

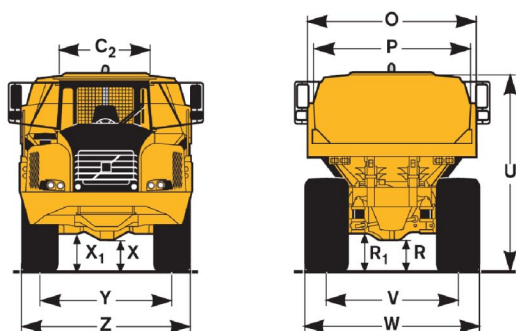
## WEIGHTS

### Operating weight unloaded

Front	16 300 kg
Rear	14 970 kg
Total	31 270 kg
Payload	37 000 kg

### Total weight

Front	19 170 kg
Rear	49 100 kg
Total	68 270 kg



## LOAD CAPACITY

### Standard body

Load capacity	37 000 kg
Body, struck	16.9 m <sup>3</sup>
Body, heaped	22.5 m <sup>3</sup>

### With overhung tailgate

Body, struck	17.2 m <sup>3</sup>
Body, heaped	23.2 m <sup>3</sup>

## SPECIFICATIONS

Model	Volvo A40D
Max power at	1800 rpm
SAE J1995 Gross	313 kW
Max torque at	1200 rpm
SAE J1995 Gross	2100 Nm
SAE J1349 Net, DIN 6271	2056 Nm

## CAPACITIES

Fuel tank	480 litres
Hydraulic tank	250 litres

# SHERRIN Rentals

BRISBANE • DARWIN • TOOWOOMBA • SUNSHINE COAST

## 132 138

Email - [info@sherrinrentals.com.au](mailto:info@sherrinrentals.com.au) Web - [www.sherrinrentals.com.au](http://www.sherrinrentals.com.au)

# 40 Tonne Dump Truck