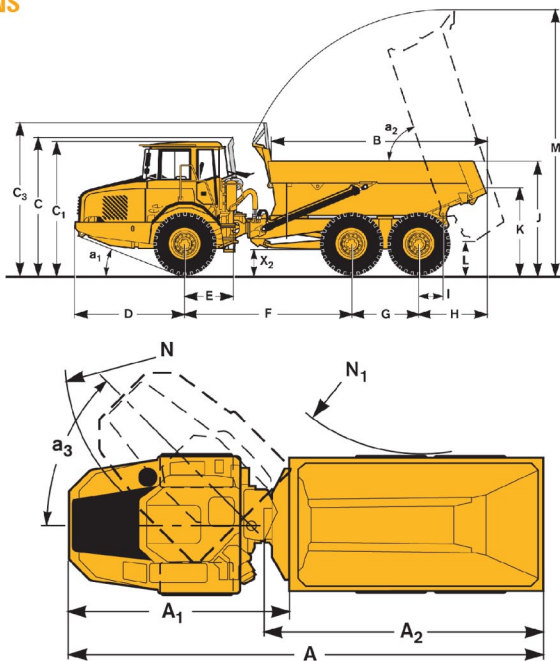


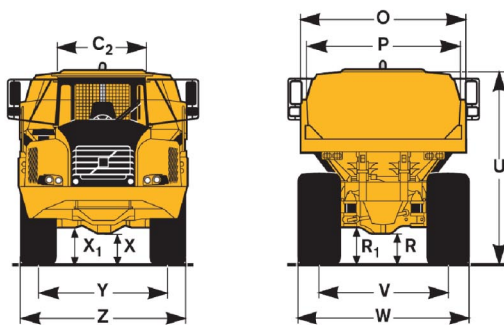
DIMENSIONS



	mm
A	10 297
A ₁	4954
A ₂	6002
B	5339
C	3428
C ₁	3318
C ₂	1768
C ₃	3834
D	2764
E	1210
F	4175
G	1670
H	1688
I	608
J	2856
K	2181
L	686
M	6592
N	8105
N ₁	4037
O	2900
P	2706
R	513
R ₁	635
U	3310
V	2216
V*	2258
W	2941
W*	2859
X	456
X ₁	582
X ₂	659
Y	2216
Y*	2258
Z	2941
Z*	2859
a ₁	23.5°
a ₂	70°
a ₃	45°

WEIGHTS

	Operating weight unloaded	Total weight
Front	12 500kg	14 990kg
Rear	10 560kg	36 070kg
Total	23 060kg	51 060kg
Payload	28 000kg	



LOAD CAPACITY

Standard body

Load capacity	28 000 kg
Body, struck	13.6 m ³
Body, heaped	17.5 m ³

With underhungtailgate

Body, struck	13.8 m ³
Body, heaped	18.0 m ³

With overhung tailgate

Body, struck	14.0 m ³
Body, heaped	18.1 m ³

SPECIFICATIONS

Model	Volvo A30D
Max power at	1900 rpm
SAE J1995 Gross	252 kW
Max torque at	1200 rpm
SAE J1995 Gross	1700 Nm
SAE J1349 Net, DIN 6271	1689 Nm

CAPACITIES

Fuel tank	400 litres
Hydraulic tank	175 litres

SHERRIN Rentals

BRISBANE • DARWIN • TOOWOOMBA • SUNSHINE COAST

132 138

Email - info@sherrinrentals.com.au Web - www.sherrinrentals.com.au

30 Tonne Dump Truck